

*jamme 'o bagno*

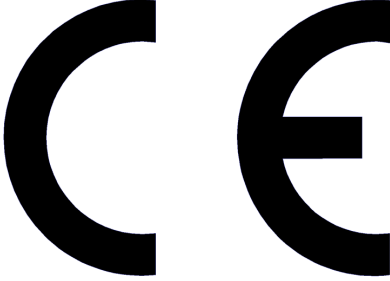


**joy on the beach**



**NEATECH**



<b>PRODUCT</b>	<b>JOB</b>
<b>OTHER NAMES</b>	
<b>PART NUMBER / MODEL</b>	S105
<b>CE CONFORMITY</b>	 <p>Regulation EU 2017/745 - Class I medical device - Rule I Annex VIII</p>
<b>MAIN STANDARDS APPLIED</b>	ISO 14971:2012 UNI EN 12182:2012
<b>MANUFACTURER</b>	<b>Neatech.it SRL</b> via A. de Curtis 4/A, 80040, Cercola (NA), Italia Tel. +39 081 555 1946 www.neatech.it – info@neatech.it
<b>INTENDED USE</b>	The product is intended to be used for alleviation or compensation for an injury or disability. Particularly the wheelchair is intended to be used by those groups of users with temporary or permanent mobility difficulties confined to a sitting position who need to move on the beach and other types of impervious surfaces.



We have great concerns about quality, safety and usability of our products. We are always working to improve them. Please download last version of this manual at this link.

<https://www.neatech-download.it/s080-manual/>

# Index

1	PRODUCT INFORMATION .....	1
2	PREPARATION FOR FIRST USE .....	2
2.1	Checks to be made on delivery .....	2
2.2	Unpacking .....	2
2.3	Mounting the wheelchair .....	3
3	ADJUSTMENTS .....	7
3.1	Legrest adjustment.....	7
4	USE OF THE PRODUCT .....	8
4.1	Armrests .....	10
4.2	Third wheel kit .....	10
4.3	Sun awning .....	12
4.4	Transport and storage .....	15
5	MAINTENANCE .....	16
5.1	Maintenance and cleaning .....	16
5.2	Controls to be performed on the product.....	17
5.3	Tire puncture .....	18
5.4	Reuse .....	18
6	SPECIFICATIONS .....	19
6.1	Dimensions .....	19
7	WARRANTY TERMS .....	20
7.1	Serial number .....	21

## Symbols in this manual



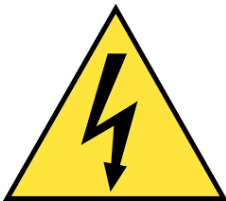
### **WARNING**

This symbol means presence of danger for the user or damage for the product. Always follow instructions when this symbol is present.



### **PINCH HAZARD**

This symbol means presence of pinch hazard.



### **ELECTRICAL WARNING**

This symbol means presence of danger related to the presence of electrical energy. Please pay special attention when this symbol is present.



### **INFORMATION**

This symbol means general information intended to simplify or best explain the use of the product.



### **CONTACT INFORMATION**

This symbol means the need of contacting an authorized service center or the manufacturer.



### TEMPERATURE

The temperature of some surfaces may increase when the product is exposed to external heat sources as direct sunlight.



### TIPPING HAZARD

Tipping hazard is strongly reduced because of the design of the product according to EN 12182.

In any case, please pay special attention during the adjustments and use of the product to prevent any damage to the user or product itself.

**Any transport on a slope greater than the maximum safety slope can be dangerous.**

**Please don't seat on armrests.**



Center of balance of the wheelchair and so its stability can be affected by:

- User position
- Use of a backpack
- Tilting of the seat



### PINCH HAZARD

Make sure your feet do not hang up or get caught in the space between the footrests. In general, make sure you have proper space in areas you will travel through to minimize pinching or entrapment of body parts.



### INFORMATION

For information on how to obtain information and instructions in a format appropriate for use by visually impaired people please contact the manufacturer.

**WARNING: It is prohibited to use the product or its parts for any purpose other than that indicated. For a correct use please follow the instructions given in this manual. The manufacturer disclaims any responsibility for damages caused by improper use of the product.**

The manufacturer disclaims any responsibility for inappropriate selection of product model and configuration.

Information in this manual may be subject to change without notice. All information, pictures and specifications are based on the product details that were available at the time of preparation of this document. They are representative examples and they are not intended to be exactly as the actual product.

#### **MODIFICATIONS**

Any unauthorized modification to the product may increase the risk of personal injury and damage to the product itself. All modifications should be done by an authorized service center.

Do not use any unauthorized accessories or spare parts on the product. Do not use the product in combination with other medical devices without first having considered any risk due to combination of more products.

#### **MANUFACTURER**

For any need not expressly explained in this manual, please contact the manufacturer.

**Neatech.it SRL**

via A. de Curtis 4/A, 80040, Cercola (NA), Italy

[www.neatech.it](http://www.neatech.it) – [info@neatech.it](mailto:info@neatech.it) - +39 081 555 1946

#### **INCIDENT REPORTING**

If an incident occurs, please contact an authorized service center. For a list of authorized service center please contact the manufacturer.



#### **DISPOSING**

This product and all its components can not be treated as household waste. For more detailed information on how recycling and disposal this product contact your local waste disposal service.



# 1 PRODUCT INFORMATION

Dear Friend,

Thank You for choosing our product.

The JOB is a chair for the transport of elderly and disabled people adapted to the sea, snow or off-road trekking. It is provided with a pair of wheels designed for an easy transport on all type of surface (sand, pebbles, snow).

Because of the construction with aluminum alloy materials that don't fear the attack of the salt, with the Job you can enter the water staying comfortably seated.

It is completely demountable to facilitate the transport also in small vehicles.

## 2 PREPARATION FOR FIRST USE

### 2.1 Checks to be made on delivery

- Check for the integrity of the original packaging.
- Check for any anomalies on shipping documents.
- Check for the functionality and integrity of the device in all its parts, at the time of delivery or immediately thereafter, to ensure that no damage has resulted from a careless transport.
- Make sure the surface of the device is not damaged, scratched, bent, etc.
- Any fault or damage found must be immediately reported on the shipping documents and promptly communicated to the shipper.

### 2.2 Unpacking

Inside the box there are:

- Backrest with upholstery
- Footrest with upholstery
- Front support
- Anti-tip bar
- Main frame with upholstery and tube fasteners
- 
- N. 2 wheels
- N. 10 wheel fasteners
- Documents and manual
- Purchased accessories

Before starting to use the wheelchair please check if all described components are present. **If not, please contact as soon as possible the vendor.**

## 2.3 Mounting the wheelchair

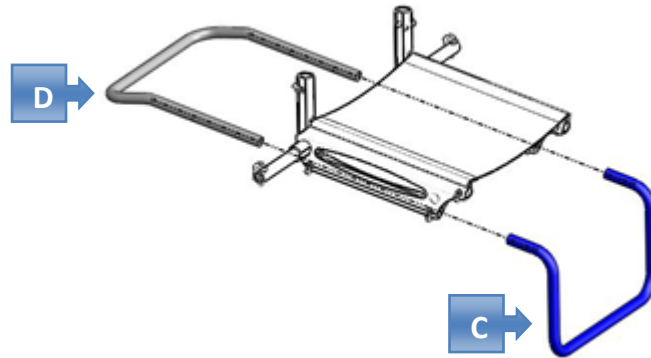


Figure 1

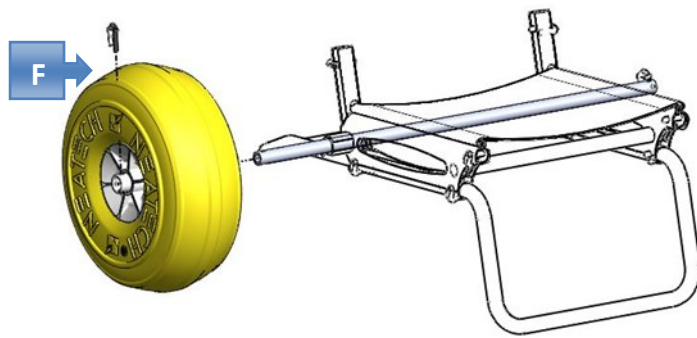
- Insert anti-tip bar (D) and front support bar (C) into the main chassis (E) as shown in Figure.
- Secure the two bars with fasteners.
- Make sure tubes are correctly locked.
- Make sure tubes are correctly locked.



### WARNING

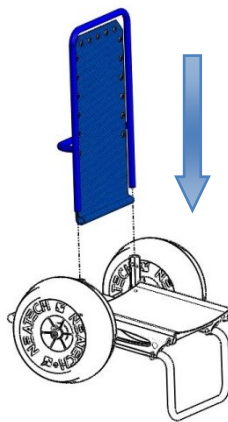
Tubes (D) and (C) are of the same width but (D) is longer.

If tubes (D) and (C) are inverted, the wheelchair will result unbalanced with possible risk for the user.



**Figure 2**

- Insert the wheel (lh and rh) on the axis of the chasis as shown in Figure.
- Use the special housing hole on the hub, previously aligned with the hole present on the axle of the frame and insert the fastener (F).
- Make sure each wheel fastener is correctly locked on hub.



**Figure 3**

- Insert the backrest into the bushings on the main frame as shown in Figure.
- Insert the 2 fasteners deeply through proper holes to lock it.
- Make sure fasteners are correctly locked on main frame.

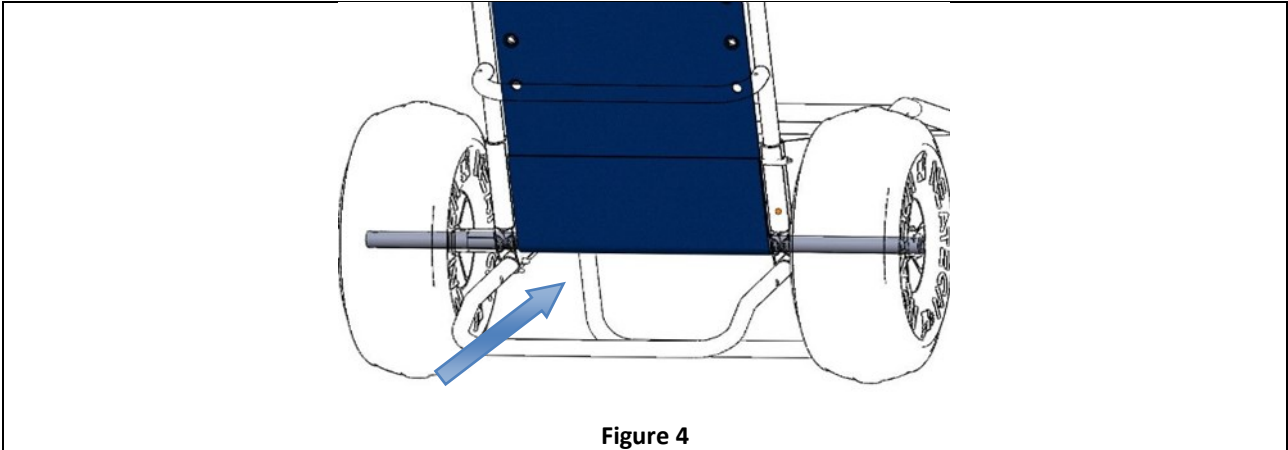


Figure 4

- Fix strip located on bottom end of the backrest, passing it around wheels' axle as shown in Figure.



**WARNING**

It is very important to carefully fix the backrest with the fixing clips and the strip to avoid possible dismounting

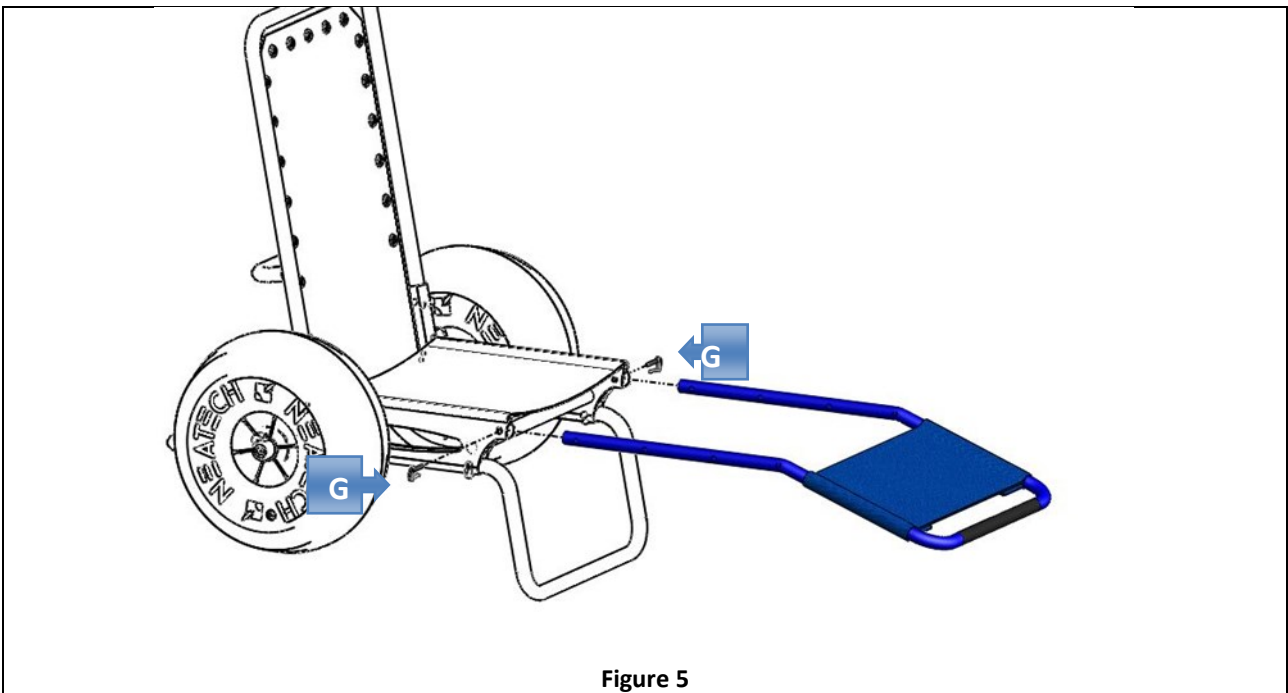


Figure 5

- Insert the legbar in the tubes of the chassis as shown in Figure and lock it with the 2 fasteners (G).



### **WARNING**

Tighten correctly the two tubes.



### **PACKAGING DISPOSAL**

To properly recycle the packaging materials follow instructions provided by your local waste disposal service.



### **Disassembly of the wheelchair**

In order to disassemble the chair run the described operations in reverse order.



### **WARNING**

Make sure that the locking of the wheels and tubes are trapped in their respective housings of the frame to prevent loss.

# 3 ADJUSTMENTS

## 3.1 Legrest adjustment



**Average needed time:**

<5 min



**Difficulty level:**

Easy

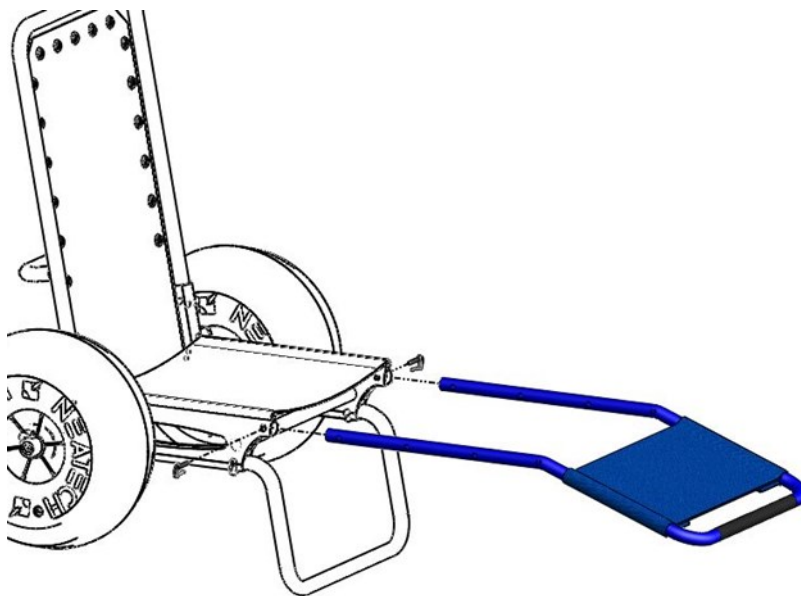


Figure 6

- Remove the fasteners as shown in Figure.
- Put the legrest in one of the three available positions.
- Insert again the fasteners.



Operation intended to be performed by an assistant.

## 4 USE OF THE PRODUCT



### WARNING

Do not stand on the product. Always use caution when transferring in or out of the seat. Every precaution should be taken to reduce the transfer distance. Also be certain the wheel locks are engaged to prevent the wheels from moving.

Do not let children use the wheelchair without supervision.



### INFORMATION

Do not install, maintain or operate the product without reading all warnings and this entire manual.

Always keep this manual in connection with the product.



### WARNING

Do not carry passengers on the wheelchair independently of the age of the passenger. The wheelchair is not designed for weight training and is unsafe for use as a seat while weight training. Do not lean over the top of the back upholstery to reach objects from behind as this may cause the wheelchair to tip over. Do not shift your weight or sitting position toward the direction you are reaching as the wheelchair may tip over. Do not stand on the frame of the wheelchair.

**Some pathologies may limit your ability to use your wheelchair safely. Be sure to consult with a doctor about your physical limitations.**

Please practice your drive ability under the supervision of an assistant.

### Pelvic belt

The wheelchair has the predisposition for a pelvic belt. **Pelvic belt is only design to position the user and not for any protection in case of accident.**





### Transfer into and out the wheelchair

Users transfer is recommended with the presence of an assistant. Don't use footrests or armrests as support.


**WARNING**

For use in safety of the wheelchair and to avoid situations of risk for the user, verify that **the circumference of the wheels is between 1380 and 1400 mm.**

If not, please inflate or deflate the wheel to within the recommended range.



**Figure 7**



**WARNING**

Do not use wheelchair in deep or agitated water.  
Presence of an assistant is obligatory when wheelchair is into the water.

### Lift of the wheelchair

Do not lift the wheelchair with a user on board. Do not lift the wheelchair grabbing the legrests. If you really need to lift the wheelchair, it is suggested to grab it with the help of at least one assistant.

## 4.1 Armrests

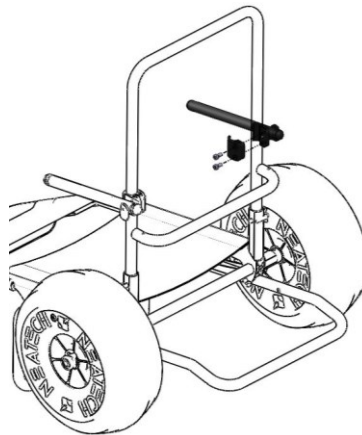


Figure 8

- Assemble the armrest (rh and lh) to the backrest as shown in Figure. To ensure a proper connection tighten the two screws shown in Figure.

**ALLEN WRENCH**



6 mm

## 4.2 Third wheel kit

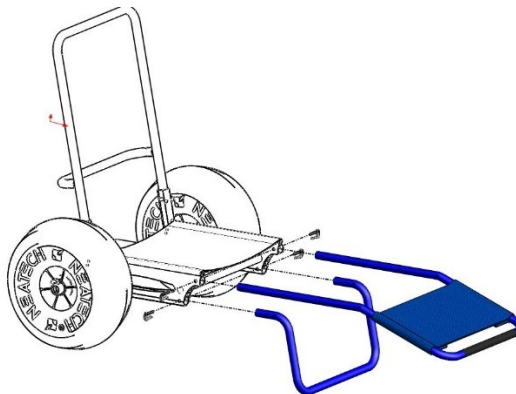


Figure 9

- Remove the leg bar and the front support bar simply acting on the fasteners as shown in Figure.

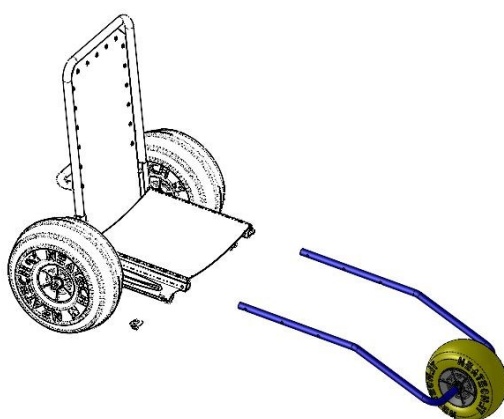


Figure 10

- Connect the third wheel kit inserting the tubes into the holes in front of the frame as shown in Figure.
- Apply the fasteners into the appropriate holes to ensure proper connection.



#### ADJUSTMENT

It is possible to choose among three different holes according to the desired depth.

The depth adjustment is the same adjustment as for the legbar. For more information see section 3.1.



#### WARNING

For use in safety of the wheelchair and to avoid situations of risk for the user, verify that **the circumference of the wheel is between 810 and 840 mm.**

If not, please inflate or deflate the wheel to within the recommended range.

### 4.3 Sun awning

Inside the box there are:

- Bag with awning and the straps for the coupling (1)
- Supports for the awning (2)
- 
- Awning's support bars (3)
- 



Figure 11



Figure 12

- From the support bars of the awnings remove the pipe cover black identifying the hole that has no outer tabs.



Figure 13

- Insert the yellow flat supports in the hole just identified and then insert the support for the awning by sliding it on the backrest. Keep the media flat-head upright and facing up.



Figure 14

- Attach the strap to the tubular on the back of the backrest so that the hook is facing towards the outside.



**Figure 15**

- Attach the strap on the back of the awning to the hook of the belt previously fixed to the tube and pull the belts till they are very stretched.

Attach the ties of the awning to the tubular of the legrest.



**Figure 16**

- Adjust the tension of the tie rods acting on cord lock till the awning is stable with respect to the chair.

## 4.4 Transport and storage

If you are not willing to use the wheelchair for a long period, keep it safe in a clean area and away from heat.

If it is necessary to transport the wheelchair to facilitate operation disassemble the wheelchair and use the bag available as accessory.

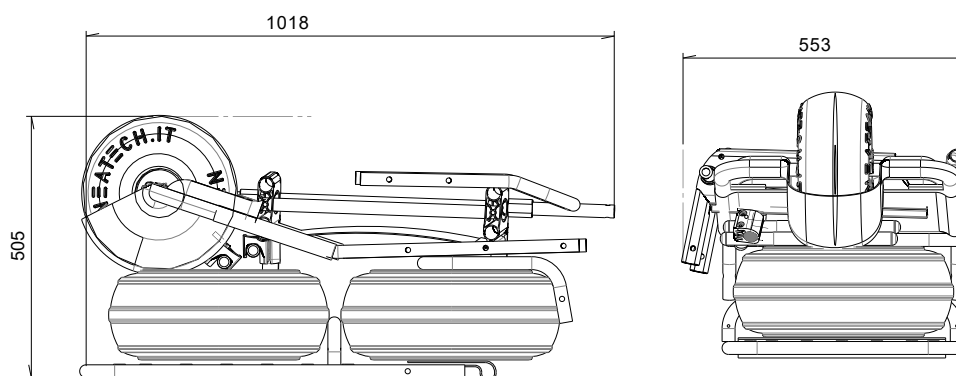


Figure 17

## 5 MAINTENANCE

Please remind that the wheelchair is intended exclusively for the carriage of seated people. Below there are some precautions for the use of the wheelchair, which it is recommend to follow, in order to ensure a safe use and a long duration.

Regular maintenance helps to keep intact the functionality and safety of the wheelchair. Inadequate or lack of care and maintenance may cause a limitation of the warranty.



### WARNING

Any work on the wheelchair must be performed by an authorized service center.



### INFORMATION

It is not possible to perform any maintenance on batteries. It is only possible to substitute them.

### 5.1 Maintenance and cleaning

For plastic and metal parts use a soft cloth dampened with mild detergent. For the upholstery, linings, seat and back covers use warm water and mild detergent. Do not use stain removers, solvents, acids, etc.



## 5.2 Controls to be performed on the product

Type of operation	
<b>A</b>	Operation intended to be performed by the user.
<b>B</b>	Operation intended to be performed by an assistant.
<b>C</b>	Operation intended to be performed by an authorized service center.

Operation	Frequency	Type of operation
Clean the wheelchair	Weekly	B - Assistant
Check if the pressure is the one indicated on tires and in section 4 - 4.2.	Weekly	B - Assistant
Check the presence of all fasteners.	Monthly	B - Assistant

### 5.3 Tire puncture

- Clean damaged surface with ethylic alcohol.
- When surface is dry; apply few drops of a glue for rigid PVC.
- 
- Wait some minutes to let glue dry, then inflate wheels as described in this manual.



#### **WARNING**

When finished, please be sure that there is no air leakage.

### 5.4 Reuse

The product is suitable for reuse. Before dispensing it, the product must be cleaned, and subjected to maintenance. The operating instructions are included in this manual and must also be provided when the product is passed on.



#### **WARNING**

This operation must be performed only at an authorized service center.

## 6 SPECIFICATIONS

Total mass (min-max) [kg]	~13.0 kg
Maximum user mass	125 kg
The wheelchair conforms to requirements for resistance to ignition in accordance with ISO 7176-16 [yes-no]	Yes
Expected lifetime of the assistive product [years]	5
Operating temperature	MIN -10 °C – MAX +40 °C
Storage temperature	MIN -20 °C – MAX +45 °C

### 6.1 Dimensions

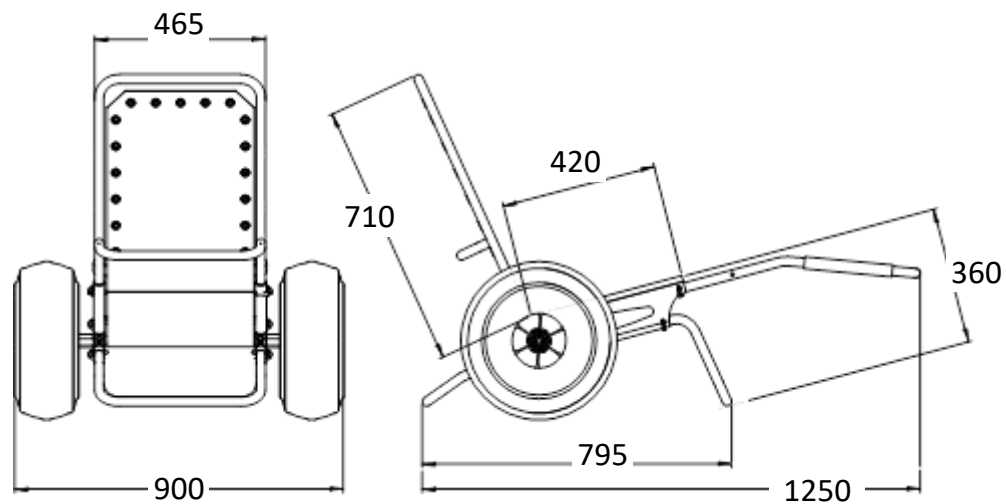


Figure 18

# 7 WARRANTY TERMS

## Definitions

- **MANUFACTURER:** Manufacturer means the legal person who manufactures a product. For the scope of the following document, the manufacturer is:

**Neatech.it s.r.l.**

via Antonio de Curtis 4/A – 80040 – Cercola (NA)

Tel. +39 081 555 1946 – [info@neatech.it](mailto:info@neatech.it) – [neatech@pec.it](mailto:neatech@pec.it) – [www.neatech.it](http://www.neatech.it)

P.IVA IT04812481218 – REA NA715393

- **CUSTOMER:** Customer means the natural or legal person who buys a product from the manufacturer. For the scope of the following document, the Customer is the holder of the financial document issued by the manufacturer following the supply of the product.
- **PRODUCT:** Product is the good supplied by the manufacturer to the customer in execution of a purchase order

## Scope of the guarantee

The manufacturer undertakes to remedy any defect, lack of quality or lack of conformity of the products related to him as a result of design, construction errors or defects in the material that occurred during the warranty period.

## Period of application of the guarantee

The warranty period begins with the customer's billing date. The duration of the warranty period varies according to the type of product.

Type of product	Warranty period [months]
Wheelchairs	24
Wheelchair parts and accessories (excluding batteries)	24

Table 1

Any repairs or replacements under warranty do not alter the original period of application of the warranty.

## Exclusions

The warranty does not cover wearing parts.

Following there are some examples of parts subject to wear.

- Wheels
- Padded parts (polyurethane foams, viscoelastic)
- Upholstery (including canvas)
- Handles and knobs
- Fuses and bulbs
- Electric motor brushes
- Filters

The warranty is limited to damage related to the product and cannot under any circumstances cover damage caused to third parties as a result of product failure.

The warranty does not cover parts damaged by overload, inappropriate use, alterations and repairs made by unauthorized third parties. The warranty is not valid in the event of tampering, incorrect storage, incorrect or unauthorized maintenance.

### 7.1 Serial number

For any report or assistance request, please communicate the serial number mentioned on the label in the position shown in figure.

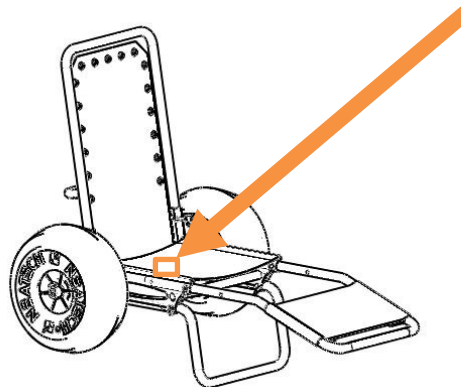


Figure 19





**Neatech.it s.r.l.**

via A. De Curtis, 4/A - 80040 Cercola (NA) Italy

tel. +39 0815551946 - fax +39 0815552507

[www.neatech.it](http://www.neatech.it) - [info@neatech.it](mailto:info@neatech.it)



**NEATECH™**